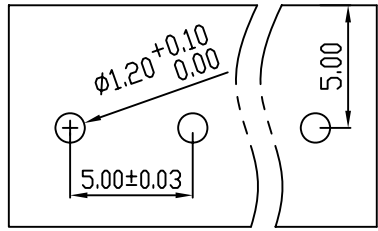
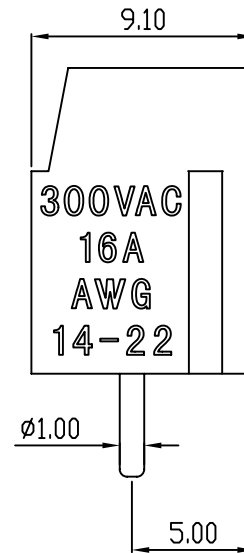
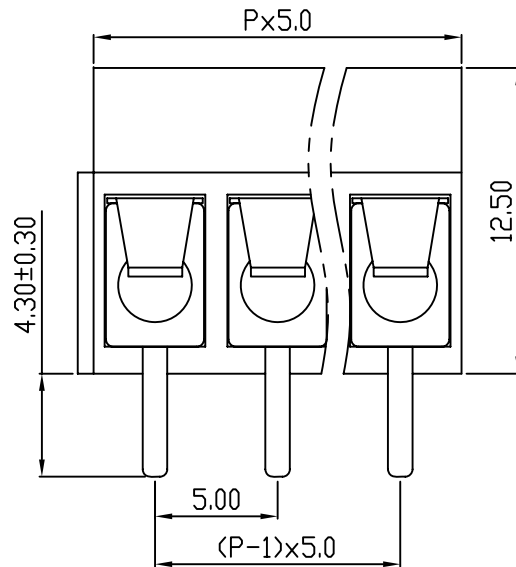
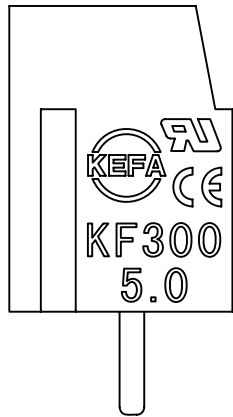
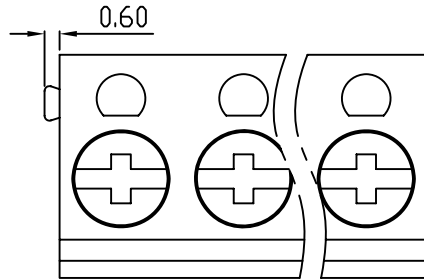


| linear dimension(Tolerances Standard GB/T 14486-2008) |       |              |               |               |                |                 |             | —     | $\square$      | $\perp$     |
|---|-------|--------------|---------------|---------------|----------------|-----------------|-------------|-------|----------------|-------------|
| variable range  | to 6  | over 6 to 10 | over 10 to 30 | over 30 to 60 | over 60 to 100 | over 100 to 160 | over 160 to | to 10 | over 10 to 100 | over 100 to |
| tolerance   | ±0.20 | ±0.30        | ±0.50         | ±0.70         | ±1.00          | ±1.30           | ±1.60       | 0.10  | 0.30           | 0.60        |



PCB LAYOUT



| REVISION RECORD |             |         |          |          |
|-----------------|-------------|---------|----------|----------|
| REV.            | DESCRIPTION | ECN No. | APPROVED | DATE     |
| A               | 新发行         |         | CLF      | 21.03.13 |
|                 |             |         |          |          |
|                 |             |         |          |          |

| UL/CUL 技术参数           |                                   |                  |     |     |
|-----------------------|-----------------------------------|------------------|-----|-----|
| UL/CUL Technical Data |                                   |                  |     |     |
| 等级                    | Use Group                         | B                | C   | D   |
| 额定电压                  | Rated Voltage [V]                 | 300              | -   | 300 |
| 额定电流                  | Rated Current [A]                 | 16               | -   | 10  |
| 接线范围                  | Wire Range                        | 22-14            |     |     |
| 单/多芯线                 | Solid/Stranded [AWG]              |                  |     |     |
| 耐电压                   | Withstanding Voltage              | 1600V/1Min       |     |     |
| IEC 技术参数              |                                   |                  |     |     |
| IEC Technical Data    |                                   |                  |     |     |
| 过电压类别                 | Overvoltage Category              | III              | III | II  |
| 污染等级                  | Contamination Class               | 3                | 2   | 2   |
| 额定电压                  | Rated Voltage [V]                 | 250              | 400 | 500 |
| 额定电流                  | Rated Current [A]                 | 17               | 17  | 17  |
| 额定冲击电压                | Impulse withstand voltagea [KV]   | 4.0              | 4.0 | 4.0 |
| 导线截面积                 | Conductor cross section           | 1.5              |     |     |
| 硬质/柔性导线               | Solid/flexible [mm <sup>2</sup> ] |                  |     |     |
| 材料                    |                                   |                  |     |     |
| 绝缘材料                  | Insulation Material               | PBT              |     |     |
| 阻燃等级                  | Imflammability                    | UL94V-0          |     |     |
| 导体材料                  | Contacting Material               | 铜合金 Copper alloy |     |     |
| 导体表面镀层                | Contactive Coating                | 镀锡 Tin Plated    |     |     |
| 一般参数                  |                                   |                  |     |     |
| 间距                    | Pitch [mm]                        | 5.0              |     |     |
| 极数                    | Poles [P]                         | 2-24             |     |     |
| 剥线长度                  | Stripping Length [mm]             | 4-5              |     |     |
| 螺丝                    | Screw/扭矩 Torque(Max) [N.m]        | M3.0/0.5         |     |     |
| 工作温度                  | Operating temperatur [°C]         | -30~+120         |     |     |
| 引针尺寸                  | Pin Dimensions [mm]               | 4.3              |     |     |
| PCB板孔径                | PCB Hole Diameter [mm]            | 1.2              |     |     |

|      |     |      |          |  |    |           |    |            |   |                               |          |   |
|------|-----|------|----------|--|----|-----------|----|------------|---|-------------------------------|----------|---|
| DES. | LQQ | DATE | 21.03.13 | 单位 / UNITS   | mm | 尺寸 / SIZE | A4 | 比例 / SCALE | 1:1   | 第三视角 / THIRD ANGLE PROJECTION | 版本 / REV | A |
| CHK. | SY  | DATE | 21.03.13 |  慈溪市科发电子有限公司<br>CIXI KEFA ELECTRONIC CO., LTD |    |           |    | 名称 / TITLE | <br><b>KF300-5.0</b> |                               |          |   |
| APP. | CLF | DATE | 21.03.13 |  |    |           |    |            |   |                               |          |   |