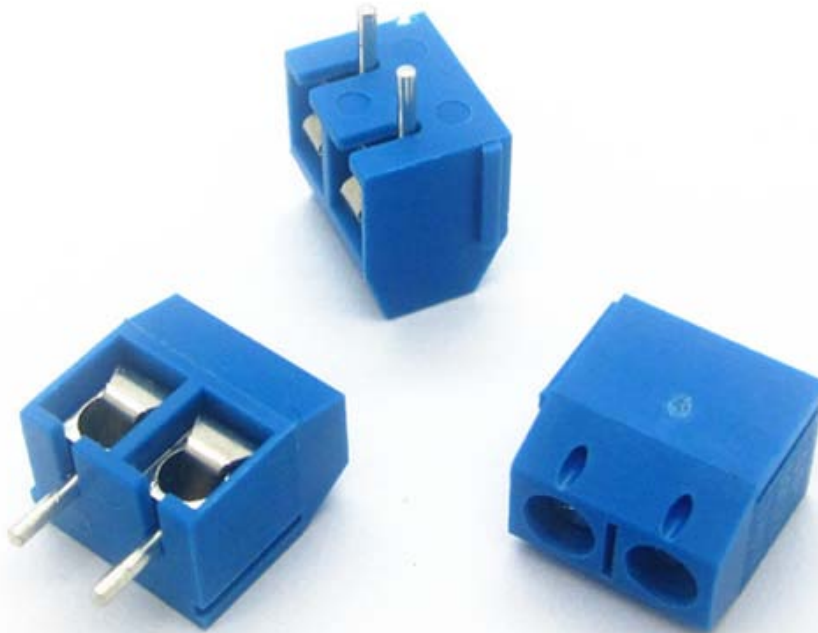




## KF301-2P Terminal Block 5mm Pitch

Miniature expandable terminal block. These terminal blocks are designed to 'snap' together. You can attach as many 3-pin or 2-pin ones along as you'd like to make arbitrary length of terminal block. Use this terminal blocks whenever making PCB-to-Wire connections.

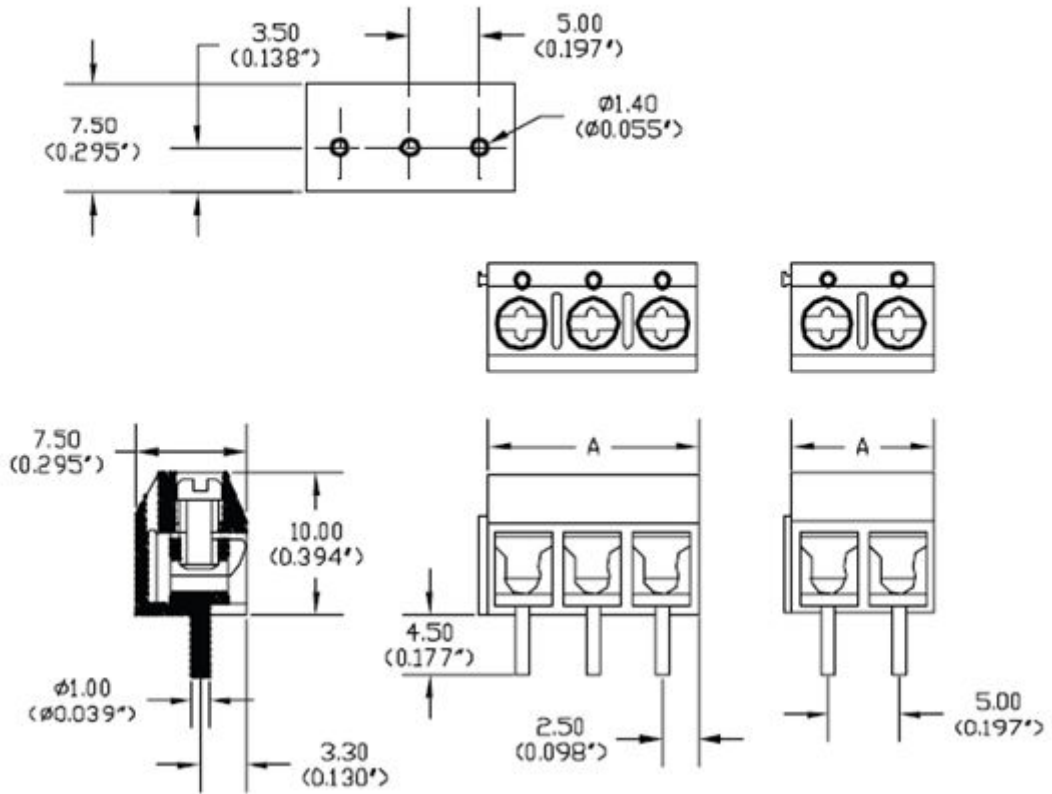


### Brief Data:

- Pin Pitch: 5.0mm
- Poles: 2P
- Screw: M2.5 Steel Zinc plated
- Wire guard: phosphor bronze, Ni plated or stainless steel
- Pin header: Brass, Tin plated
- Housing: PBT, UL94V-0
- Color: Blue
- Rated current: 16A
- Withstanding voltage: AC200V/1Min
- Temp range: -30~+120 Celsius
- MAX Soldering: +150 Celsius for 5sec
- Torque: 0.4 Nm (3.5lb.in)
- Strip length: 4.5-5mm.
- Wire Range: AWG 16-24 Wires.

# Mechanical Dimension

## PCB Layout



Dimensions :Millimetres (Inches)