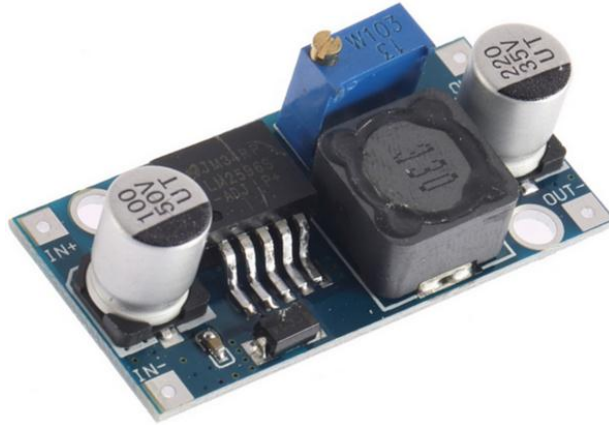




## Data Specs

### LM2596S Step Down 3A DC-DC Converter

LM2596S DC-DC step down converter module, adjustable +1.23Vdc to 35Vdc output 3A maximum. Ideal for battery operated projects requiring a regulated power supply.



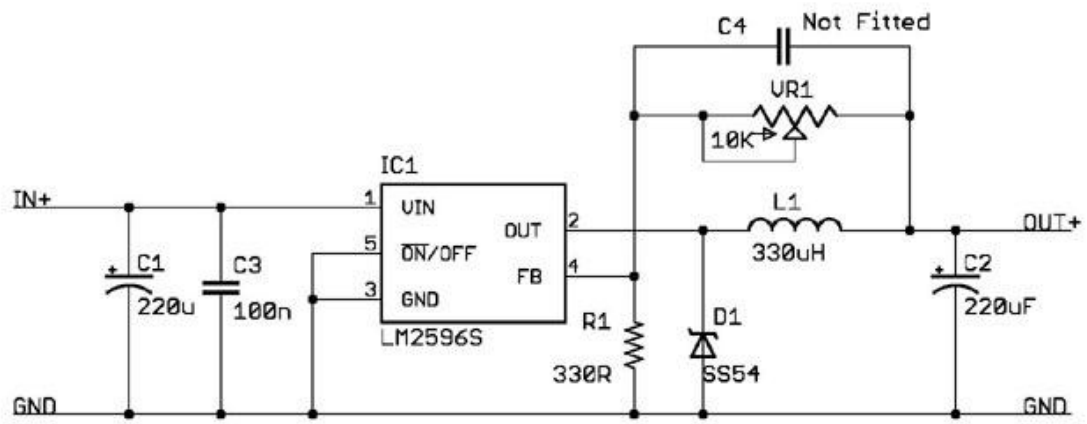
SKU: [MDU-1050](#)

#### Brief Data:

- Input Voltage: 3.2V~40Vdc.
- Output Voltage: 1.5~35V (continuously adjustable)
- Output current: 3A Max (heat sink required).
- Conversion efficiency: Up to 92%.
- Switching Frequency: 150KHz.
- Rectifier: Non-Synchronous Rectification
- Module Properties: Non-isolated step-down module (buck converter)
- Short circuit protection: current limiting.
- Operating temperature: Industrial grade (-40 °C to +85 °C) (output power 10W or less)
- Load regulation:  $\pm 0.5\%$
- Voltage regulation:  $\pm 0.5\%$
- Dynamic response speed: 5% 200uS

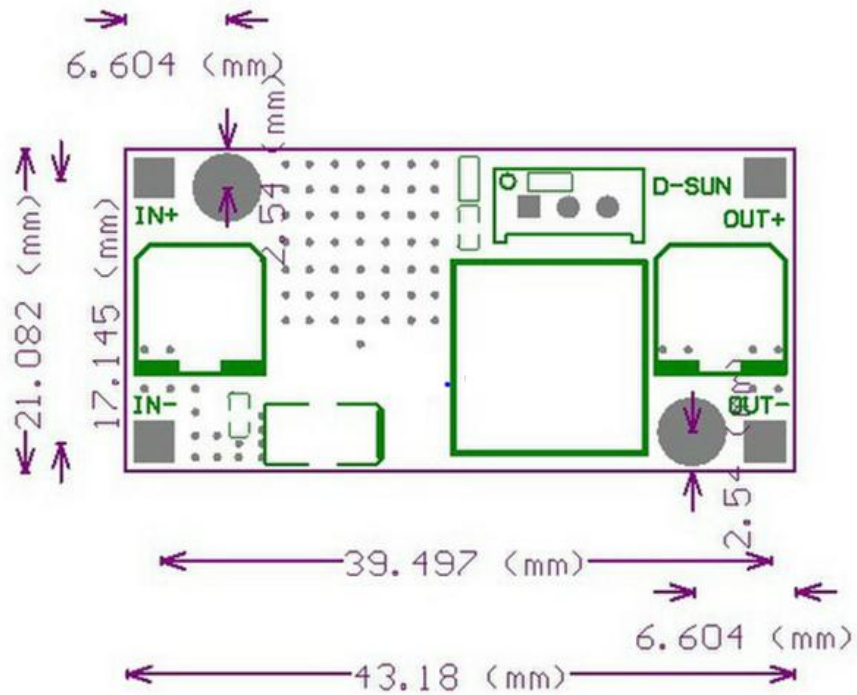
*Note that this is step down converter module; input voltage must be higher than output voltage.*

## Schematic:



## Board Dimension:

Unit: mm





# Handsontec.com

*We have the parts for your ideas*

---

HandsOn Technology provides a multimedia and interactive platform for everyone interested in electronics. From beginner to diehard, from student to lecturer. Information, education, inspiration and entertainment. Analog and digital, practical and theoretical; software and hardware.



open source  
hardware

HandsOn Technology support Open Source Hardware (OSHW) Development Platform.

*Learn : Design : Share*

*[www.handsontec.com](http://www.handsontec.com)*

The Face behind our product quality...

In a world of constant change and continuous technological development, a new or replacement product is never far away – and they all need to be tested.

Many vendors simply import and sell without checks and this cannot be the ultimate interests of anyone, particularly the customer. Every part sell on Handsotec is fully tested. So when buying from Handsontec products range, you can be confident you're getting outstanding quality and value.

We keep adding the new parts so that you can get rolling on your next project.



[www.handsontec.com](http://www.handsontec.com)

[Breakout Boards & Modules](#)



[Connectors](#)



[www.handsontec.com](http://www.handsontec.com)

[Electro-Mechanical Parts](#)



[www.handsontec.com](http://www.handsontec.com)

[Engineering Material](#)



[www.handsontec.com](http://www.handsontec.com)

[Mechanical Hardware](#)



[Electronics Components](#)

P



[www.handsontec.com](http://www.handsontec.com)

[Power Supply](#)



[Arduino Board & Shield](#)

[Tools & Accessory](#)



[www.handsontec.com](http://www.handsontec.com)

[Tools & Accessory](#)